

VILLAGE OF CHATHAM, ILLINOIS

ORDINANCE NO. 05-12

**AN ORDINANCE AMENDING THE SUBDIVISION CHAPTER OF THE
VILLAGE OF CHATHAM CODE OF ORDINANCES BY CHANGING
SITEWALK STANDARDS FOR HANDICAP CORNERS**

ADOPTED BY THE PRESIDENT AND BOARD OF TRUSTEES
OF THE VILLAGE OF CHATHAM, ILLINOIS
THIS 12 DAY OF APRIL, 2005

Published in pamphlet form by the authority of the President and
Board of Trustees of the Village of Chatham, Sangamon County,
Illinois, this 12 day of APRIL, 2005.

Ordinance No. 05- 12

AN ORDINANCE AMENDING THE SUBDIVISION CHAPTER OF THE VILLAGE OF CHATHAM CODE OF ORDINANCES BY CHANGING SITEWALK STANDARDS FOR HANDICAP CORNERS

BE IT ORDAINED BY THE PRESIDENT AND BOARD OF TRUSTEES OF THE VILLAGE OF CHATHAM, ILLINOIS, AS FOLLOWS:

SECTION 1: Appendix A-5 to Chapter 155 of the Village of Chatham Code of Ordinances is amended by the substitution of the drawing attached hereto.

SECTION 2: This Ordinance shall take effect after its passage and publication. The Clerk shall publish this Ordinance in pamphlet form, and the Clerk shall see to its inclusion in the next update of the Village of Chatham Code of Ordinances.

PASSED this 12 day of APRIL, 2005.

Thomas D. Gray

VILLAGE PRESIDENT

ATTEST:

Pat Schep
Village Clerk



AYES: SHERR MCPADAMS BOYLE MCCARTHY KAVANAUGH
NAYS: 0
PASSED: 4-12-05
APPROVED: 4-12-05
ABSENT: 1 MCCARTHY

ORDINANCE CERTIFICATE

STATE OF ILLINOIS)
) SS.
COUNTY OF SANGAMON)

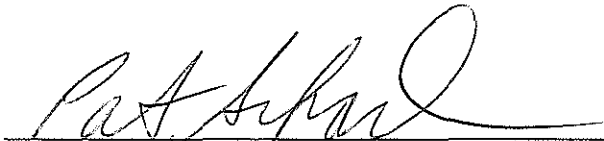
I, the undersigned, do hereby certify that I am the duly qualified and acting Village Clerk of the Village of Chatham, Sangamon County, Illinois.

I do further certify that the ordinance attached hereto is a full, true, and exact copy of Ordinance No. 05- 12 adopted by the President and Board of Trustees of said Village on the 12 day of APRIL, 2005, said Ordinance being entitled:

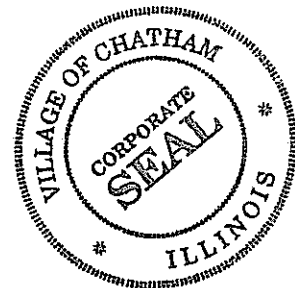
**AN ORDINANCE AMENDING THE SUBDIVISION CHAPTER OF THE
VILLAGE OF CHATHAM CODE OF ORDINANCES BY CHANGING
SITEWALK STANDARDS FOR HANDICAP CORNERS**

I do further certify that prior to the making of this certificate, the said Ordinance was spread at length upon the permanent records of said Village, where it now appears and remains.

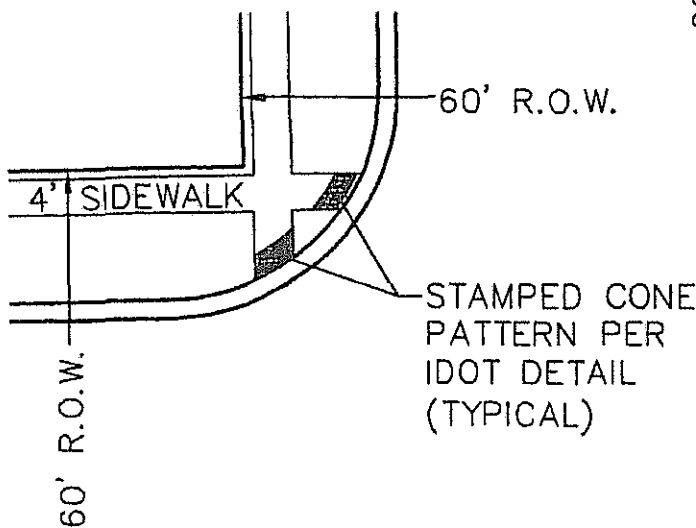
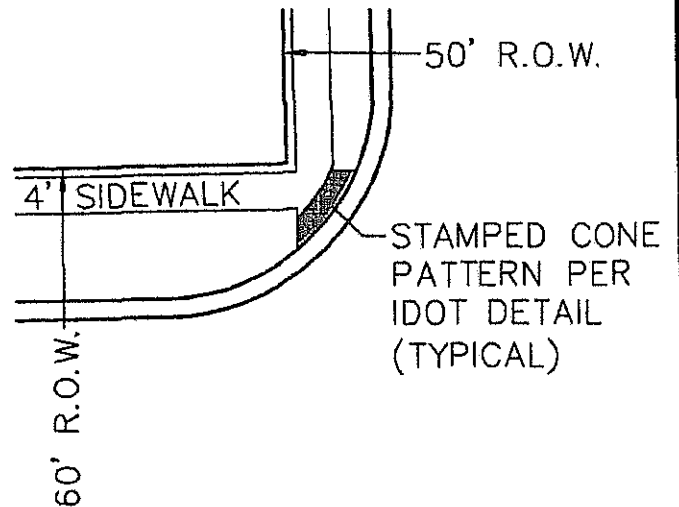
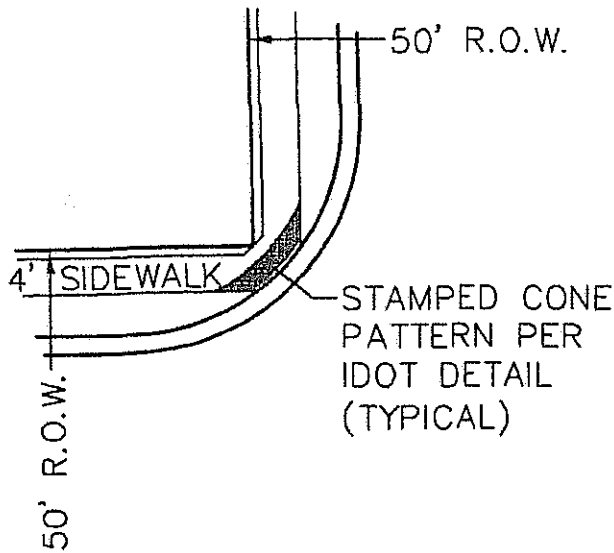
IN WITNESS WHEREOF, I have hereunto set my hand and affixed the official seal of said Village this 12 day of APRIL, 2005.



Village Clerk



SIDEWALK STANDARDS FOR HANDICAP CORNERS



APPENDIX A-5

REVISIONS	DATE	BY		DATE	02-01-05
	03-29-05	MM		DRAWN	BAILEY
				PROJ. NO.	05-001
				FIELD BOOK	X
				COMPUTER FILE NO.	05001STD2.dwg
<p style="text-align: center;">GREENE & BRADFORD, INC. OF SPRINGFIELD</p> <p style="text-align: center;">CONSULTING ENGINEERS 3501 CONSTITUTION DRIVE SPRINGFIELD, ILLINOIS 62711 (217) 793-8844, (217) 793-6227 FAX</p> <p style="text-align: center;">PROFESSIONAL DESIGN FIRM NO. 184-001179 PROFESSIONAL & STRUCTURAL ENGINEERING CORPORATION</p>			<p>DATE 02-01-05</p> <p>DRAWN BAILEY</p> <p>PROJ. NO. 05-001</p> <p>FIELD BOOK X</p> <p>COMPUTER FILE NO. 05001STD2.dwg</p>		

STATE OF ILLINOIS)
) ss.
COUNTY OF SANGAMON)

CERTIFICATE

I certify that I am the duly elected and acting Village Clerk of the Village of Chatham, Sangamon County, Illinois.

I further certify that on 4-12, 2005, the corporate authorities of such Village passed and approved Ordinance No. 05-12 entitled:

AN ORDINANCE AMENDING THE SUBDIVISION CHAPTER OF THE VILLAGE OF CHATHAM CODE OF ORDINANCES BY CHANGING SITEWALK STANDARDS FOR HANDICAP CORNERS

which provided by its terms that it should be published in pamphlet form.

The pamphlet form of Ordinance No. 05-12 including the Ordinance and a cover sheet thereof, was prepared, and a copy of such Ordinance was posted in the Village Hall, commencing on 4-12, 2005, to continue for at least ten days thereafter. Copies of such Ordinance were also available for public inspection upon request in the office of the Village Clerk.

DATED at Chatham, Illinois, this 12 day of APRIL, 2005.

(SEAL)



Village Clerk